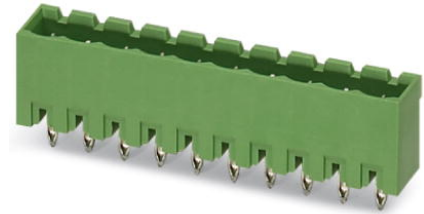


EMSTBVA 2,5/13-G-5,08

Order No.: 1859629

The figure shows a 10-position version of the product

<http://eshop.phoenixcontact.de/phoenix/treeViewClick.do?UID=1859629>Header, nominal current: 12 A, rated voltage: 200 V, pitch: 5.08 mm,
no. of positions: 13, mounting: Press in

Commercial data

EAN	4017918133047
Pack	50 Pcs.
Customs tariff	85366990
Weight/Piece	0.0057 KG
Catalog page information	Page 217 (CC-2007)

Product notes

WEEE/RoHS-compliant since:
01/01/2003

<http://www.download.phoenixcontact.com>
Please note that the data given here has been taken from the online catalog. For comprehensive information and data, please refer to the user documentation. The General Terms and Conditions of Use apply to Internet downloads.

Technical data

Dimensions / positions

Pitch	5.08 mm
Dimension a	60.96 mm
Number of positions	13
Pin dimensions	1,7 mm
Hole diameter	1.75 mm

Technical data

Insulating material group	IIIa
Rated surge voltage (III/3)	4 kV
Rated surge voltage (III/2)	4 kV
Rated surge voltage (II/2)	4 kV
Rated voltage (III/2)	320 V
Rated voltage (II/2)	320 V
Connection in acc. with standard	EN-VDE
Nominal current I_N	12 A
Nominal voltage U_N	200 V
Maximum load current	12 A
Insulating material	PBT
Inflammability class acc. to UL 94	V0

Certificates / Approvals



CUL

Nominal voltage U_N	300 V
Nominal current I_N	10 A

UL

Nominal voltage U_N	300 V
Nominal current I_N	10 A
Certification	CB, CUL, GOST, UL, VDE-PZI

Accessories

Item	Designation	Description
------	-------------	-------------

Assembly

1877203	EMSTB 2,5-SH	Stamp holder, for upper and lower stamp
1877229	EMSTBVA 2,5-SS-2-5,08	Stamp set, consisting of an upper and lower stamp, upper stamp: 17 to 24-pos., lower stamp: 2 to 24-pos., pitch: 5.08 mm
1755477	MSTB-BL	Keying cap, for forming sections, plugs onto header pin, green insulating material

Marking

0804293	SK 5,08/3,8:FORTL.ZAHLEN	Marker card, printed horizontally, self-adhesive, 12 identical decades marked 1-10, 11-20 etc. up to 91-(99)100, sufficient for 120 terminal blocks
---------	--------------------------	---

Plug/Adapter

1734401	CR-MSTB	Coding section, inserted into the recess in the header or the inverted plug, red insulating material
---------	---------	--

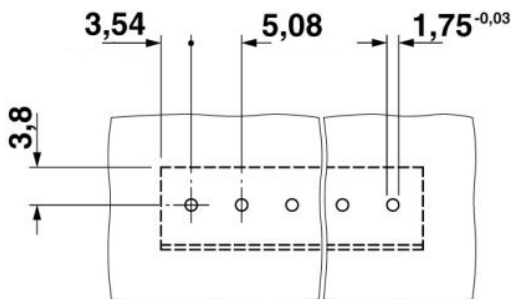
Additional products

Item	Designation	Description
General		
1873168	FKC 2,5/13-ST-5,08	Plug component, nominal current: 12 A, rated voltage: 250 V, pitch: 5.08 mm, no. of positions: 13, type of connection: Spring-cage connection
1902220	FKCT 2,5/13-ST-5,08	Plug component, nominal current: 12 A, rated voltage: 250 V, pitch: 5.08 mm, no. of positions: 13, type of connection: Spring-cage connection
1874060	FKCVR 2,5/13-ST-5,08	Plug component, nominal current: 12 A, rated voltage: 250 V, pitch: 5.08 mm, no. of positions: 13, type of connection: Spring-cage connection
1873760	FKCVW 2,5/13-ST-5,08	Plug component, nominal current: 12 A, rated voltage: 250 V, pitch: 5.08 mm, no. of positions: 13, type of connection: Spring-cage connection
1777390	FRONT-MSTB 2,5/13-ST-5,08	Plug component, nominal current: 12 A, rated voltage: 250 V, pitch: 5.08 mm, no. of positions: 13, type of connection: Screw connection
1786514	IC 2,5/13-G-5,08	Header, nominal current: 12 A, rated voltage: 320 V, pitch: 5.08 mm, number of positions: 13, mounting type: soldering
1786051	ICV 2,5/13-G-5,08	Header, nominal current: 12 A, rated voltage: 320 V, pitch: 5.08 mm, number of positions: 13, mounting type: soldering
1757129	MSTB 2,5/13-ST-5,08	Plug component, nominal current: 12 A, rated voltage: 250 V, pitch: 5.08 mm, no. of positions: 13, type of connection: Screw connection
1764277	MSTB 2,5/13-STZ-5,08	Plug component, nominal current: 12 A, rated voltage: 250 V, pitch: 5.08 mm, no. of positions: 13, type of connection: Screw connection
1808926	MSTBC 2,5/13-ST-5,08	Plug component, nominal current: 12 A, rated voltage: 320 V, pitch: 5.08 mm, no. of positions: 13, type of connection: Crimp connection
1809611	MSTBC 2,5/13-STZ-5,08	Plug component, nominal current: 12 A, rated voltage: 320 V, pitch: 5.08 mm, no. of positions: 13, type of connection: Crimp connection

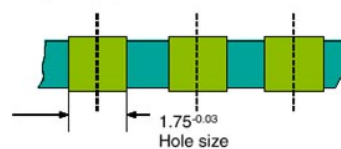
1769120	MSTBP 2,5/13-ST-5,08	Plug component, nominal current: 12 A, rated voltage: 250 V, pitch: 5.08 mm, no. of positions: 13, type of connection: Screw connection
1781098	MSTBT 2,5/13-ST-5,08	Plug component, nominal current: 12 A, rated voltage: 250 V, pitch: 5.08 mm, no. of positions: 13, type of connection: Screw connection
1824230	MSTBU 2,5/13-STD-5,08	Plug component, nominal current: 12 A, rated voltage: 320 V, pitch: 5.08 mm, no. of positions: 13, type of connection: Screw connection
1831427	MSTBVK 2,5/13-ST-5,08	Plug component, nominal current: 12 A, rated voltage: 320 V, pitch: 5.08 mm, no. of positions: 13, type of connection: Screw connection
1792359	MVSTBR 2,5/13-ST-5,08	Plug component, nominal current: 12 A, rated voltage: 250 V, pitch: 5.08 mm, no. of positions: 13, type of connection: Screw connection
1792867	MVSTBW 2,5/13-ST-5,08	Plug component, nominal current: 12 A, rated voltage: 250 V, pitch: 5.08 mm, no. of positions: 13, type of connection: Screw connection
1918023	QC 0,75/13-ST-5,08	Plug components, 5.08 mm pitch, color: green, no. of positions 13, dimension a 60.96 mm
1883815	QC 1/13-ST-5,08	Plug, nominal current: 10 A, rated voltage: 500 V, pitch: 5.08 mm, number of positions: 13, connection method: Insulation displacement connection QUICKON
1826393	SMSTB 2,5/13-ST-5,08	Plug component, nominal current: 12 A, rated voltage: 250 V, pitch: 5.08 mm, no. of positions: 13, type of connection: Screw connection
1833920	UMSTBVK 2,5/13-ST-5,08	Plug component, nominal current: 12 A, rated voltage: 320 V, pitch: 5.08 mm, no. of positions: 13, type of connection: Screw connection
1873029	ZFKK 1,5-ICV-5,08	Modular terminal blocks with plug entry, cross section: 0.2 - 1.5 mm ² , width: 5.1 mm, color: gray

Drawings

Drilling diagram



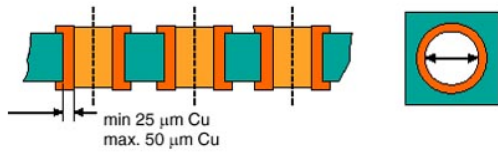
Bore hole in the basic material,
mostly epoxy glass fabric FR4 or EP-GC



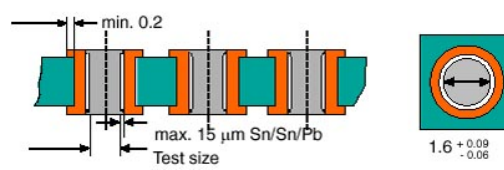
Bore hole with Cu ferrule



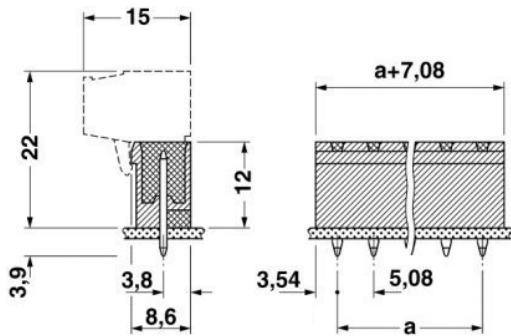
Bore hole with Cu ferrule



Plated-through bore hole with Sn/SnPb



Dimensioned drawing



Address

PHOENIX CONTACT Inc., USA
586 Fulling Mill Road
Middletown, PA 17057, USA
Phone (800) 888-7388
Fax (717) 944-1625
<http://www.phoenixcon.com>



© 2008 Phoenix Contact
Technical modifications reserved;